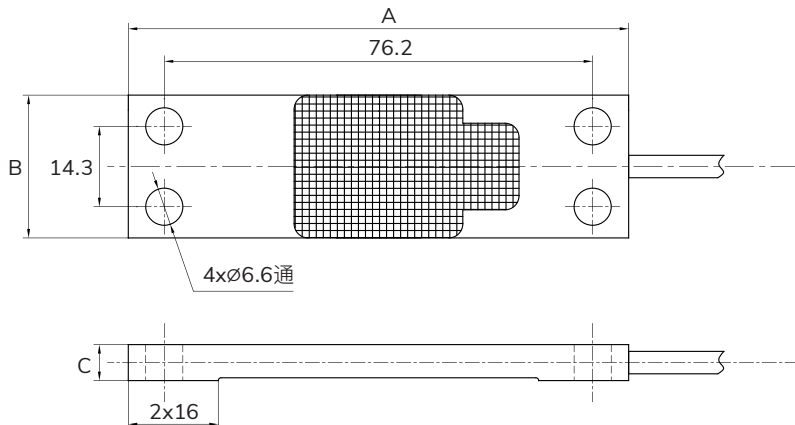


DIMENSIONS / 尺寸

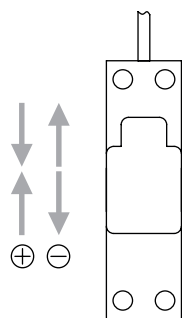


FEATURES & APPLICATIONS / 特点和用途

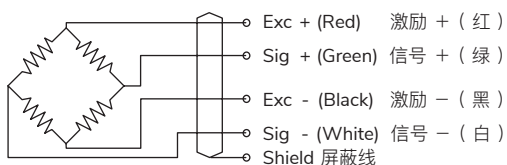
- Strain Transducer
- Easy To Install And Replace
- Suitable For Large Capacity Equipment
- Suitable For Equipment Where It Is Inconvenient To Install Other Force Transducer
- Used To Measure Directly The Strain Of The Equipment

- 应变式传感器
- 易于安装和更换
- 适用于大型设备的测力
- 适用于不方便安装其他力传感器的场所
- 用于直接测量应变的设备

LOAD DIRECTION / 受力方向



SCHEMATIC WIRING DIAGRAM / 接线图



Note: Cable shield is not connected to element.
注：屏蔽线不与弹性体相连。

CAPACITIES / 量程

CAP (µε)	SIZE (mm)	A	B	C
200/500/1000		89	25.4	6.4

SPECIFICATIONS / 详细描述

PERFORMANCE	产品性能	TECHNIQUE / 技术指标
Non-Linearity	非线性	±1% of RO
Hysteresis	滞后	±1% of RO
Repeatability	重复性	±1% of RO
Zero Balance	零点输出	±2% of RO
ELECTRICAL	电气特性	
Rated Output	输出灵敏度	1.0 ± 15% mV/V
Recommended Excitation	激励电压	5 ~ 10 VDC
Maximum Excitation	最大激励电压	15 VDC
Input Impedance	输入电阻	1000 ± 10 Ω
Output Impedance	输出电阻	1005 ± 3 Ω
Insulation	绝缘电阻	≥2000 MΩ / 100 VDC
Cable Color Code	连接方式	Input/输入: Red / 红 (E+) Black / 黑 (E-) Output/输出: Green / 绿 (S+) White / 白 (S-)
MECHANICAL	机械特性	
Weight	重量	0.5Kg
Safe Overload	安全超载	120% of RO
Ultimate Overload	极限超载	150% of RO
Material	材料	Stainless Steel / 不锈钢
Cable Size	电缆线尺寸	∅3x 6000 mm
IP Rating	防护等级	IP65
TEMPERATURE	温度特性	
Operating Temperature	工作温度范围	-20 ~ 80°C
Compensated Temp. Range	温度补偿范围	-10 ~ 40°C
Temp. Effect On Output	温度灵敏度漂移	±0.5% of RO / 10°C
Temp. Effect On Zero	零点温度漂移	±0.5% of RO / 10°C
CONFORMITY	遵循	
RoHS		2011/65/EU
CE		2014/35/EU