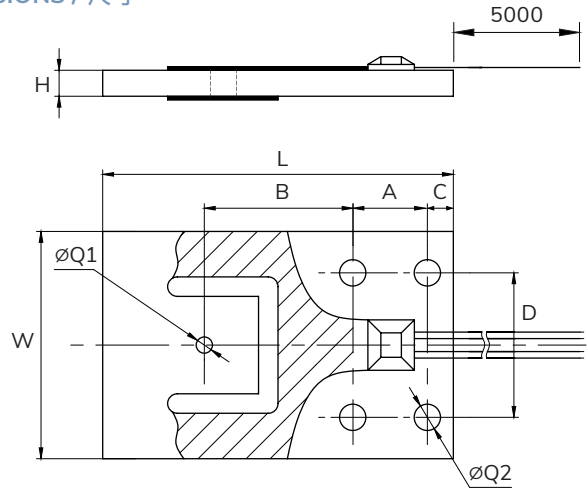




DIMENSIONS / 尺寸



FEATURES & APPLICATIONS / 特点和用途

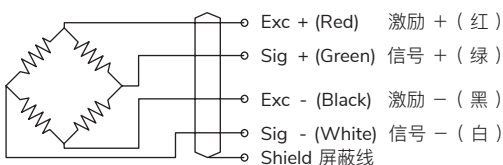
- Compression Type
- Very Low Profile
- Provides Freedom In Rectangular Scale Size Design
- Matched Output And Current Calibration Circuitry
- Eliminates Need For Spyder In Typical Bench Top Scales
- Surface Anodized
- Commonly Used In Low Profile Scales

- 压式传感器
- 高度低
- 可随意设计矩形刻度尺寸
- 匹配的輸出和電流校準電路
- 消除了典型台式秤中對Spyder的需求
- 表面陽極氧化
- 常用於薄型秤

LOAD DIRECTION / 受力方向



SCHEMATIC WIRING DIAGRAM / 接線圖



Note: Cable shield is not connected to element.
注：屏蔽線不與彈性體相連。

CAPACITIES / 量程

CAP (Kg)	SIZE (mm)	L	A	B	C	D	W	H	Q1	Q2
7.5		70	14	28	4.9	27.8	39	2.5	5.1	5.1
15		70	14	28	4.9	27.8	39	4.1	6.2	5.1
37.5		76.2	15	29.3	6	30	45.5	4.8	6.2	6.6
50		84.5	15	34	6.4	30	55	5.3	7.6	6.6
75		84	15	34	6.4	30	55	6.4	7.6	6.6
150		107.5	22.8	45.9	7.8	44.5	70	8	5/16UNC	8.1
250		107.3	22.9	45.8	7.9	44.5	70	10		8.1

SPECIFICATIONS 详细描述 TECHNIQUE / 技术指标

PERFORMANCE	产品性能	技术指标
Non-Linearity	非线性	±0.03% of RO
Hysteresis	滞后	±0.03% of RO
Repeatability	重复性	±0.03% of RO
Zero Balance	零点输出	±1% of RO
ELECTRICAL	电气特性	
Rated Output	输出灵敏度	1.0 ± 2% mV/V
Recommended Excitation	激励电压	5 ~ 10 VDC
Maximum Excitation	最大激励电压	12 VDC
Input Impedance	输入电阻	1160 ± 15 Ω
Output Impedance	输出电阻	1000 ± 10 Ω
Insulation	绝缘电阻	≥2000 MΩ / 50 VDC
Cable Color Code	连接方式	Input/输入: Red / 红 (E+) Black / 黑 (E-) Output/输出: Green / 绿 (S+) White / 白 (S-)
MECHANICAL	机械特性	
Weight	重量	0.3Kg
Safe Overload	安全超载	150% of RO
Ultimate Overload	极限超载	300% of RO
Material	材料	Aluminium Alloy / 铝合金
Cable Size	电缆线尺寸	∅5x 5000 mm
IP Rating	防护等级	IP65
TEMPERATURE	温度特性	
Operating Temperature	工作温度范围	-30 ~ 70°C
Compensated Temp. Range	温度补偿范围	-10 ~ 40°C
Temp. Effect On Output	温度灵敏度漂移	±0.02% of RO / 10°C
Temp. Effect On Zero	零点温度漂移	±0.02% of RO / 10°C
CONFORMITY	遵循	
RoHS		2011/65/EU
CE		2014/35/EU