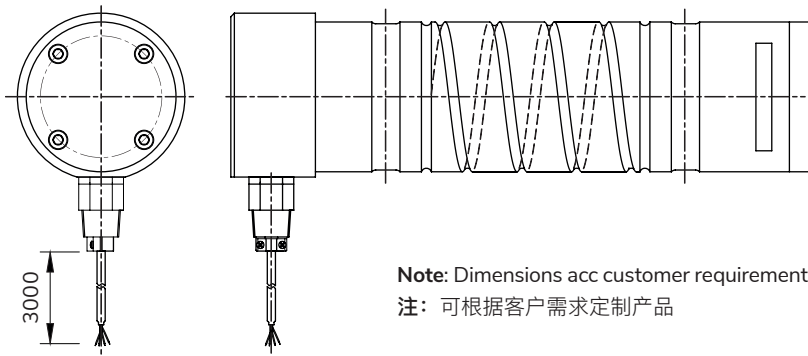


 DIMENSIONS / 尺寸



Note: Dimensions acc customer requirement
注：可根据客户需求定制产品



 CAPACITIES / 量程

CAP (t)	SIZE (mm)
50/70/100	Acc. Design 按设计而定

 FEATURES & APPLICATIONS / 特点和用途

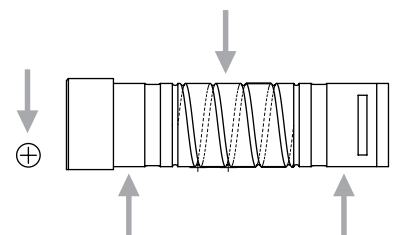
- Load Sensing Clevis Bolt
- Long Term Stability
- Shape And Size Customized
- Can Be Used As Replacement For Existing Shafts
- Used For Tower Cranes As Well As Hoist, Lifting Equipment And Safety Testing Applications

 SPECIFICATIONS 详细描述 TECHNIQUE / 技术指标

PERFORMANCE	产品性能	
Non-Linearity	非线性	±0.5% of RO
Hysteresis	滞后	±0.5% of RO
Repeatability	重复性	±0.5% of RO
Zero Balance	零点输出	±2% of RO
ELECTRICAL	电气特性	
Rated Output	输出灵敏度	4 ~ 20 mA (Three Wires / 三线) 0 ~ 10 V (Option / 可选)
Recommended Excitation	激励电压	5 ~ 10 VDC
Maximum Excitation	最大激励电压	15 VDC
Input Impedance	输入电阻	750 ± 30 Ω
Output Impedance	输出电阻	700 ± 5 Ω
Insulation	绝缘电阻	≥5000 MΩ / 100 VDC
Cable Color Code	连接方式	PIN 1 : UB+ / 电源+ PIN 2 : NC PIN 3 : OV/S- / 电源 / 信号- PIN 4 : S+ / 信号+
MECHANICAL	机械特性	
Weight	重量	Acc. Design / 按设计而定
Safe Overload	安全超载	150% of RO
Ultimate Overload	极限超载	200% of RO
Material	材料	Stainless Steel / 不锈钢
Cable Size	电缆线尺寸	∅6 x 3000 mm
IP Rating	防护等级	IP67
TEMPERATURE	温度特性	
Operating Temperature	工作温度范围	-20 ~ 80°C
Compensated Temp. Range	温度补偿范围	-10 ~ 40°C
Temp. Effect On Output	温度灵敏度漂移	±0.2% of RO / 10°C
Temp. Effect On Zero	零点温度漂移	±0.2% of RO / 10°C
CONFORMITY	遵循	
RoHS	2011/65/EU	
CE	2014/35/EU	

- 轴销式传感器
- 长期稳定性好
- 形状和尺寸可定制
- 可用作现有轴的替代品
- 用于塔式起重机、吊机、起重设备的安全检测

 LOAD DIRECTION / 受力方向



 SCHEMATIC WIRING DIAGRAM / 接线图

