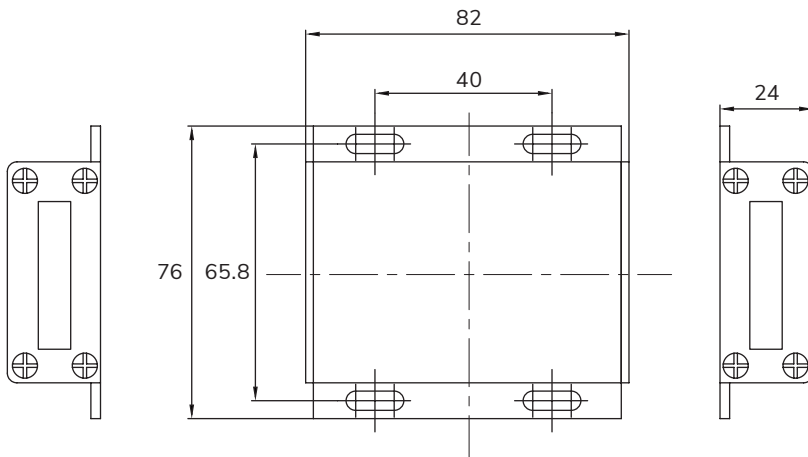


 DIMENSIONS / 尺寸



 SPECIFICATIONS

详细描述

TECHNIQUE / 技术指标

GENERAL	概括	
Sampling Rate	采样率	640 / 1280 Hz
Internal Resolution	内部分辨率	24 Bits
Resolution (Noise Free)	分辨率(无噪音)	20 Bits
Gain Adjustment	增益调节	100% F.S.
Offset Adjustment	偏移量调节	100% F.S.
Integrated Pigtail Filter	集成尾纤过滤器	50/60 Hz Rejection(10 Hz)
CMRR	共模抑制比	120 dB
Current Consumption (No Load)	电流消耗 (空载)	100 mA
Zero Drift	零位漂移	±0.1 uV/°C
Gain Drift	增益漂移	±8 ppm/°C
Accuracy	综合精度	0.01% F.S.
IP Rating	IP等级	IP64
Weight	重量	0.1Kg
INPUT	输入	
Differential Input	差分输入	±0.4 ~ ±6 mV/V
Bridge Excitation	桥路激励电压	5 VDC
Channel Qty	输入输出通道	1 Input / 1路输入
Input Load	输入负载	4 Pcs 350 Ω Sensors / 传感器
Electronic Identification	标定方式	Weight Calibration, Weight-Free Calibration Or TEDS Auto Calibration (Option) / 砝码, 免砝码标定或TEDS免标定 (可选)
OUTPUT	输出	
Analog Output Resolution	模拟量输出分辨率	12 Bits
Analog Adjust Mode	模拟量调节方式	Digital Adjust / 数字调节
Analog Output Bandwidth	模拟输出频宽	Same As Sampling Rate / 同采样频率
Digital Output Bandwidth	数字输出频宽	Same As Sampling Rate / 同采样频率
Bipolar Output	双极输出	±5 VDC Or ±10 VDC
Analog Noise Output	模拟噪声输出	< 12 mVp-p
ASCII Output Format	ASCII输出格式	Customized / 客户定制
Minimum Load Impedance	最小负载阻抗	VOUT: 15000, IOUT: 300Ω
Connectors	连接器	2 EDG-3.81-5 / 2 EDG-3.81-2
Current Output	通讯输出	RS232 Or RS485
Voltage Output	通讯协议	Modbus RTU, FREE
ENVIRONMENT	使用环境	
Operating Temperature	操作温度	-25 ~ 65°C
Storage Temperature	储存温度	-40 ~ 125°C
Relative Humidity	相对湿度	≤85% RH

 FEATURES & APPLICATIONS / 特点和用途

- Compact Design
 - Wide Input Range, 0.4~6mV/V
 - Four 350 Ω Sensors Can Be Connected
 - Using Imported Electronic Components, With High Frequency Response And Long-Term Stability, And High Accuracy DI ±0.01% F.S. AI ±0.1% F.S.
 - Input Power Reverse Protection And Output Short-Circuit Protection
 - Output Mode Optional 0 ~ ±10 V, 4 ~ 20 mA Or RS485
 - Tare, Set Zero, Gross Weight, 0 Tracking And Other General Weighing Functions
 - Use TEDS for Auto Calibration
 - Suitable For All Kinds Of Industrial Applications
-
- 紧凑型放大器
 - 输入范围: 0.4 ~ 6 mV/V
 - 负载能力强, 可连接4只350 Ω传感器
 - 采用原装进口电子元器件, 响应频率高, 长期稳定性好, 数字精度±0.01% F.S. 模拟精度±0.1% F.S.
 - 输入电源反接保护和输出短路保护
 - 输出方式可选0 ~ ±10 V, 4 ~ 20mA或RS485
 - 去皮, 置零, 清皮, 毛重, 零点跟踪等常规称重功能
 - 实现TEDS免标定功能
 - 适用于各类工业应用场合