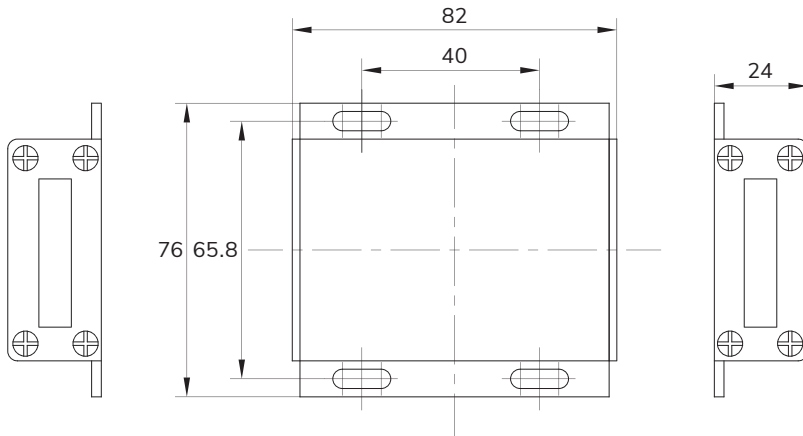


DIMENSIONS / 尺寸



SPECIFICATIONS 详细描述 TECHNIQUE / 技术指标

GENERAL 概括	
Sampling Rate 采样率	120 / 200 / 400 / 600 / 800 / 1200 / 1600 / 2400 / 4800 Hz
Internal Resolution 内部分辨率	24 Bits
Resolution (Noise Free) 分辨率 (无噪音)	22.5 Bits
Gain Adjustment 增益调节	100% F.S.
Offset Adjustment 偏移量调节	100% F.S.
Integrated Pigtail Filter 集成尾纤过滤器	50 / 60 Hz Rejection (10 Hz)
CMRR 共模抑制比	100 dB
Current Consumption (No Load) 电流消耗 (空载)	100 mA
Zero Drift 零位漂移	±0.1 uV/°C
Gain Drift 增益漂移	±5 ppm/°C
Accuracy 综合精度	0.001% F.S.
IP Rating IP等级	IP65
Weight 重量	0.1Kg
INPUT 输入	
Differential Input 差分输入	±0.1 ~ ± 6 mV/V
Bridge Excitation 桥路激励电压	5 VDC
Input Load 输入负载	4 Pcs 350 Ω Sensors / 传感器
Channel Qty 输入通道	1 Input / 1路输入
Electronic Identification 标定方式	Weight Calibration, Weight-Free Calibration Or TEDS Auto Calibration (Option) / 砝码, 免砝码标定或TEDS免标定 (可选)
OUTPUT 输出	
Analog Output Resolution 模拟量输出分辨率	16 Bits
Analog Adjust Mode 模拟量调节方式	Digital Adjust / 数字调节
Analog Output Bandwidth 模拟输出频宽	Same As Sampling Rate / 同采样频率
Digital Output Bandwidth 数字输出频宽	Same As Sampling Rate / 同采样频率
Bipolar Output 双极输出	±5 VDC, ±10 VDC
Analog Noise Output 模拟噪声输出	< 12 mVp-p
ASCII Output Format ASCII输出格式	Customized / 客户定制
Minimum Load Impedance 最小负载阻抗	VOUT: 15000, IOUT: 300 Ω
Connectors 连接器	2 EDG-3.81-5 / 2 EDG-3.81-2
Current Output 通讯输出	RS232 Or RS485
Voltage Output 通讯协议	Modbus RTU, FREE, ASCII
ENVIRONMENT 使用环境	
Operating Temperature 操作温度	-25 ~ 65°C
Storage Temperature 储存温度	-40 ~ 125°C
Relative Humidity 相对湿度	≤85% RH

FEATURES & APPLICATIONS / 特点和用途

- Compact Design
- Wide Input Range, 0.4 ~ 6 mV/V
- Four 350 Ω Sensors Can Be Connected
- Using Imported Electronic Components, With High Frequency Response And Longterm Stability, Max. Accuracy Can Be ±0.001% F.S.
- Input Power Reverse Protection And Output Short-Circuit Protection
- Calibration, Tare, Set Zero, Gross Weight, 0 Tracking And Other General Weighing Functions
- RS232 Or RS485 Connection Optional
- Suitable For All Kinds Of Industrial Applications
- 紧凑型放大器
- 输入范围: 0.4 ~ 6 mV/V
- 负载能力强, 可连接4只350 Ω传感器
- 采用原装进口电子元器件, 响应频率高, 长期稳定性好, 综合精度达到±0.001% F.S.
- 输入电源反接保护和输出短路保护
- 输出方式可选0 ~ ±10 V, 4 ~ 20 mA或RS485
- 去皮, 置零, 清皮, 毛重, 零点跟踪等常规称重功能
- 通讯输出方式可选 RS232或RS485
- 适用于各类工业应用场合