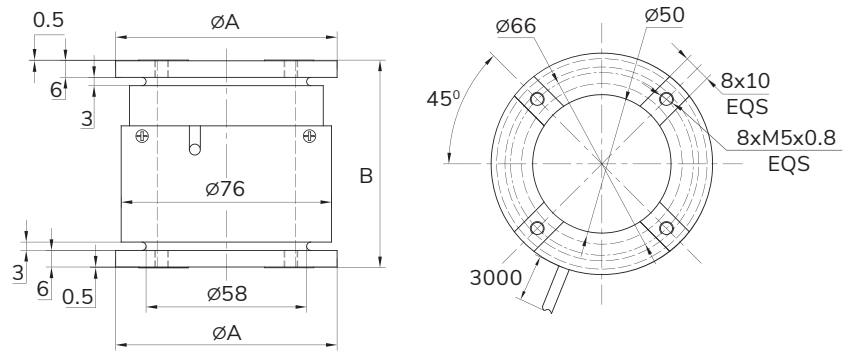




DIMENSIONS / 尺寸

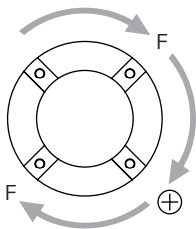


FEATURES & APPLICATIONS / 特点和用途

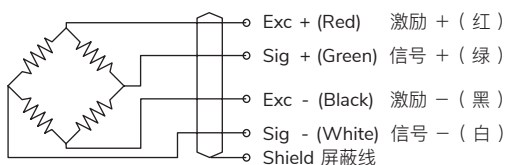
- Torque Type
- Built-In Overload Protection On Lower Ranges
- Easily Integrates Into OEM Applications
- Easy Cable Disconnect
- Surface Anodized
- Used For Static, Non-Continuous Rotational Torque Force Measurement / Auditing, Max 90°

- 扭矩传感器
- 低量程内置过载保护
- 轻松集成到OEM应用程序中
- 轻松断开电缆
- 表面阳极氧化
- 用于静态，非连续旋转扭矩力的测量，最大转角90°

LOAD DIRECTION / 受力方向



SCHEMATIC WIRING DIAGRAM / 接线图



Note: Cable shield is not connected to element.

注：屏蔽线不与弹性体相连。

CAPACITIES / 量程

CAP (Nm)	SIZE (mm)	øA	B
20/30/34/50		80	75

SPECIFICATIONS 详细描述

TECHNIQUE / 技术指标

PERFORMANCE	产品性能	
Non-Linearity	非线性	±0.05% of RO
Hysteresis	滞后	±0.05% of RO
Repeatability	重复性	±0.05% of RO
Creep (30min)	蠕变	±0.15% of RO
ELECTRICAL	电气特性	
Rated Output	输出灵敏度	1.5 ± 5% mV/V
Recommended Excitation	激励电压	5 ~ 10 VDC
Maximum Excitation	最大激励电压	12 VDC
Input Impedance	输入电阻	750 ± 30 Ω
Output Impedance	输出电阻	702 ± 3 Ω
Insulation	绝缘电阻	≥2000 MΩ / 100 VDC
Cable Color Code	连接方式	Input/输入: Red / 红 (E+) Black / 黑 (E-) Output/输出: Green / 绿 (S+) White / 白 (S-)
MECHANICAL	机械特性	
Weight	重量	0.4Kg
Safe Overload	安全超载	150% of RO
Ultimate Overload	极限超载	200% of RO
Material	材料	Aluminum Alloy / 铝合金
Connector	连接器接头	ø3 x 3000 mm
IP Rating	防护等级	IP65
TEMPERATURE	温度特性	
Operating Temperature	工作温度范围	-20 ~ 80°C
Compensated Temp. Range	温度补偿范围	-10 ~ 60°C
Temp. Effect On Output	温度灵敏度漂移	±0.05% of RO / 10°C
Temp. Effect On Zero	零点温度漂移	±0.05% of RO / 10°C
CONFORMITY	遵循	
RoHS		2011/65/EU
CE		2014/35/EU