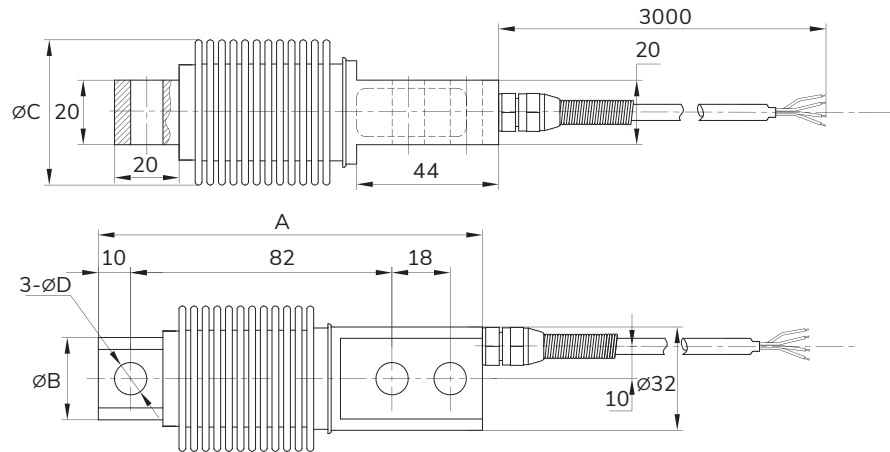




DIMENSIONS / 尺寸



FEATURES & APPLICATIONS / 特点和用途

- Bell Type Bending Beam
- Welded-On Metal Bellows
- Max. Capacity: Up To 0.5t
- Mainly Used For Small Hopper Scales

CAPACITIES / 量程

| CAP (Kg) | SIZE (mm) | A | $\varnothing B$ | $\varnothing C$ | $\varnothing D$ |
|-------------------------------------|-----------|-----|-----------------|-----------------|-----------------|
| 5/10/20/30/40/50/75/100/150/200/250 | | 120 | 25.5 | 45 | 8.2 |
| 300/500 | 10.2 | | | | |

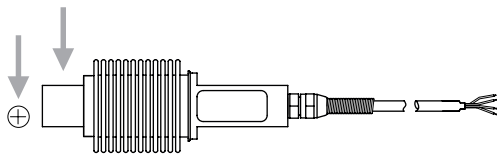
- 弯曲梁结构
- 焊接金属波纹管
- 最大量程: 0.5t
- 主要用于小型料斗秤

SPECIFICATIONS 详细描述

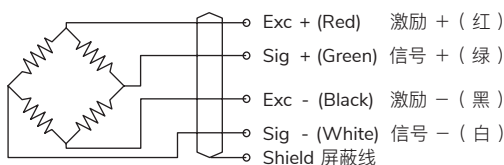
TECHNIQUE / 技术指标

| PERFORMANCE | 产品性能 | |
|-------------------------|---------|---|
| Non-Linearity | 非线性 | $\pm 0.02\%$ of RO |
| Hysteresis | 滞后 | $\pm 0.02\%$ of RO |
| Repeatability | 重复性 | $\pm 0.02\%$ of RO |
| Creep (30min) | 蠕变 | $\pm 0.03\%$ of RO |
| Zero Balance | 零点输出 | $\pm 2\%$ of RO |
| ELECTRICAL | 电气特性 | |
| Rated Output | 输出灵敏度 | $2.0 \pm 1\%$ mV/V |
| Recommended Excitation | 激励电压 | 10 VDC |
| Maximum Excitation | 最大激励电压 | 15 VDC |
| Input Impedance | 输入电阻 | $385 \pm 10 \Omega$ |
| Output Impedance | 输出电阻 | $350 \pm 5 \Omega$ |
| Insulation | 绝缘电阻 | $\geq 5000 M\Omega / 100 VDC$ |
| Cable Color Code | 连接方式 | Input/输入: Red / 红 (E+) Black / 黑 (E-) Output/输出: Green / 绿 (S+) White / 白 (S-) |
| MECHANICAL | 机械特性 | |
| Weight | 产品重量 | 0.6Kg |
| Safe Overload | 安全超载 | 150% of RO |
| Ultimate Overload | 极限超载 | 200% of RO |
| Material | 材料 | Stainless Steel / 不锈钢 |
| Cable Size | 电缆线尺寸 | $\varnothing 5 \times 3000$ mm |
| IP Rating | 防护等级 | IP68 |
| TEMPERATURE | 温度特性 | |
| Operating Temperature | 工作温度范围 | $-20 \sim 80^\circ C$ |
| Compensated Temp. Range | 温度补偿范围 | $-10 \sim 60^\circ C$ |
| Temp. Effect On Output | 温度灵敏度漂移 | $\pm 0.03\%$ of RO / $10^\circ C$ |
| Temp. Effect On Zero | 零点温度漂移 | $\pm 0.03\%$ of RO / $10^\circ C$ |
| CONFORMITY | 遵循 | |
| RoHS | | 2011/65/EU |
| CE | | 2014/35/EU |

LOAD DIRECTION / 受力方向



SCHEMATIC WIRING DIAGRAM / 接线图



Note: Cable shield is not connected to element.
注: 屏蔽线不与弹性体相连。