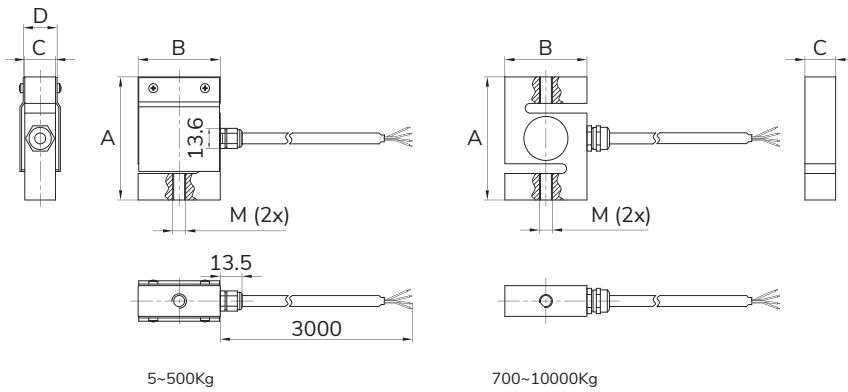


DIMENSIONS / 尺寸



CAPACITIES / 量程

CAP (Kg)	SIZE (mm)	A	B	C	D	M	Cable / 电缆线	Material / 材料	Weight / 重量
5/6/10/15/20		63.5	50.8	12.7	17.0	M6x1	ø4	Aluminium Alloy 铝合金	0.3Kg
30/50/100/200		76.2	50.8	19.0	23.0	M12x1.75	ø5		0.4Kg
5/10/20/50/75		63.5	50.8	12.7	19.1	M8x1.25	ø4	Stainless steel / Alloy steel (Option) 不锈钢 / 合金钢 (可选)	0.4Kg
100/300/500		76.2	50.8	19.1	25.4	M12x1.75	ø5		0.4Kg
700		76.2	50.8	19.1	---	M12x1.75			0.4 Kg
1000/1500		76.2	50.8	25.4	---	M12x1.75			0.4Kg
2000/3000/5000		108	76.2	25.4	---	M18x1.5			1.7Kg
7500		139.7	100	31.8	---	M24x2			3.5Kg
10000		178	127	51	---	M30x2	9.0Kg		

SPECIFICATIONS

详细描述

TECHNIQUE / 技术指标

PERFORMANCE	产品性能		
Non-Linearity	非线性	±0.03% F.S	±0.05% of RO
Hysteresis	滞后	±0.03% F.S	±0.05% of RO
Repeatability	重复性	±0.03% F.S	±0.05% of RO
Creep (30min)	蠕变	±0.03% F.S	±0.05% of RO
Zero Balance	零点输出	±2% of RO	
ELECTRICAL	电气特性		
Rated Output	输出灵敏度	2.0 ± 5% mV/V	
Recommended Excitation	激励电压	10 VDC	
Maximum Excitation	最大激励电压	15 VDC	
Input Impedance	输入电阻	410 ± 30 Ω	
Output Impedance	输出电阻	350 ± 5 Ω	
Insulation	绝缘电阻	≥5000 MΩ / 100 VDC	
Cable Color Code	连接方式	Input/输入: Red / 红 (E+) Black / 黑 (E-) Output/输出: Green / 绿 (S+) White / 白 (S-)	
MECHANICAL	机械特性		
Weight	产品重量	See Table Above / 请参考上述表格	
Safe Overload	安全超载	120% of RO	
Ultimate Overload	极限超载	150% of RO	
Material	材料	See Table Above / 请参考上述表格	
Cable Size	电缆线尺寸	3000 mm	
IP Rating	防护等级	IP65	
TEMPERATURE	温度特性		
Operating Temperature	工作温度范围	-20 ~ 80°C	
Compensated Temp. Range	温度补偿范围	-10 ~ 60°C	
Temp. Effect On Output	温度灵敏度漂移	±0.03% of RO / 10°C	
Temp. Effect On Zero	零点温度漂移	±0.03% of RO / 10°C	
CONFORMITY	遵循		
RoHS		2011/65/EU	
CE		2014/35/EU	

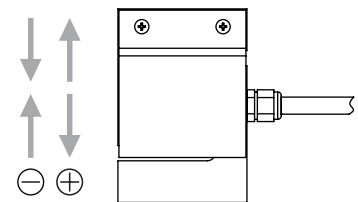


FEATURES & APPLICATIONS / 特点和用途

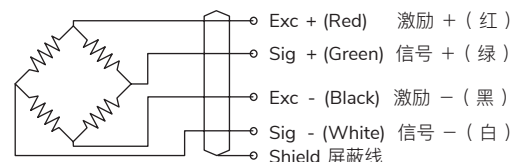
- For In Line Use In Both Tension And Compression
- Notable Nonlinearity
- Robust Cable Strain Relief
- Mainly Used For Small Range Of Tension And Compression Testing Instruments

- 拉压双向传感器
- 明显的非线性
- 强大的应力消除
- 主要用于小范围的拉压试验仪器

LOAD DIRECTION / 受力方向



SCHEMATIC WIRING DIAGRAM / 接线图



Note: Cable shield is not connected to element.
注：屏蔽线不与弹性体相连。